



Project \_\_\_\_\_

Item No. \_\_\_\_\_

Quantity \_\_\_\_\_

**MODEL KR-SELVRF  
REDUCED OIL VOLUME / HIGH OUTPUT RACK  
FRYING SYSTEM WITH FILTRATION**



**KR-SELVRF DUAL**  
Shown with K12 computer,  
9" front / rear rigid casters



**KR-SELVRF**  
Shown with K12 computer,  
9" front / rear rigid casters

**STANDARD FRYER FEATURES**

- Offers 13% reduction in oil volume
- Lift Assist system with 5 Slot Rack Holder
- Accommodates traditional fry baskets
- K12 Computer Fryer Control
- Tray Hooks Make Loading/ Unloading Racks Easier
- Auto Top Off and Push button frypot oil replenishment system with Built in 15 Lb. Reserve (Single Only) 17.5 Lb. Jib holder (Dual Only)
- Stainless Steel Construction (Tank and Cabinet)
- 1-1/2" (3.8 cm) full port drain for fast draining
- Drain Valve Interlock
- Mercury-free heating contactors
- 9" (22.8 cm) adjustable rear and front rigid casters for leveling fryer
- 6' (183 cm) NEMA 15-60P cord set (17kW, 208V). 1 per fryer.

**STANDARD FILTER SYSTEM FEATURES**

- Advanced Automatic Filtration process makes filtering quick and easy
- Extra-large 3" (7.6 cm) drain lines with unique curved design drain spout virtually eliminates splashing. Spout swivels for ease of oil disposal
- 10 GPM (34.0 LPM) filter pump
- Large, 14" x 21" filter envelope for fast filtering
- Multiple filter return jets for tank rinsing and cleaning
- Stainless Steel filter pan with rear wheels for ease of handling
- Filter pan lid is self-storing and out of the way
- Filter in place & filter empty system sensors
- Filter pump powered from fryer main power supply
- Fine mesh crumb catch

**APPLICATION**

The KR-SELVRF Rack Fryer offers high production frying on racks and a space saving "Under the Fryer Filter System". Several automation options simplify operations. The fryer can cook up to 64 pieces of bone in chicken (8 piece cut), or sixty chicken strips on four racks. Automated frypot top off feature reduces the need for staff to carry heavy oil jugs through the kitchen. The top off feature integrates a fresh oil reserve with a "low oil" warning indicator.

**FRYER RATING**

- KR-SELVRF -17 KW**  
76 lbs. (35 kg), 14" x 18"x10" fry area

**OPTIONS AVAILABLE (at additional cost)**

- Fry pot cover
- Assorted basket configurations, consult factory
- Filter System Options
  - Paperless filter
  - Oil Reclamation Piping (Waste Oil)\*
  - Bulk Oil system prep for fresh oil\*
  - Add On Unit kit – Allows connection of up to 4 KR-SELVRF units to a single filter system\*

**ACCESSORY ITEMS SHIPPED WITH UNIT**

- 1- 14" x 21" Filter Media Starter Pack
- 1- Fryer Cleaning Brush
- 1- Drain Clean Out Rod
- 1- Rack Holder, Bone-in Rack
- 5- 12" x 16" x 1" Product Racks
- 1- Rack Holding Tool

\* Contact Factory for further details

APPROVALS:

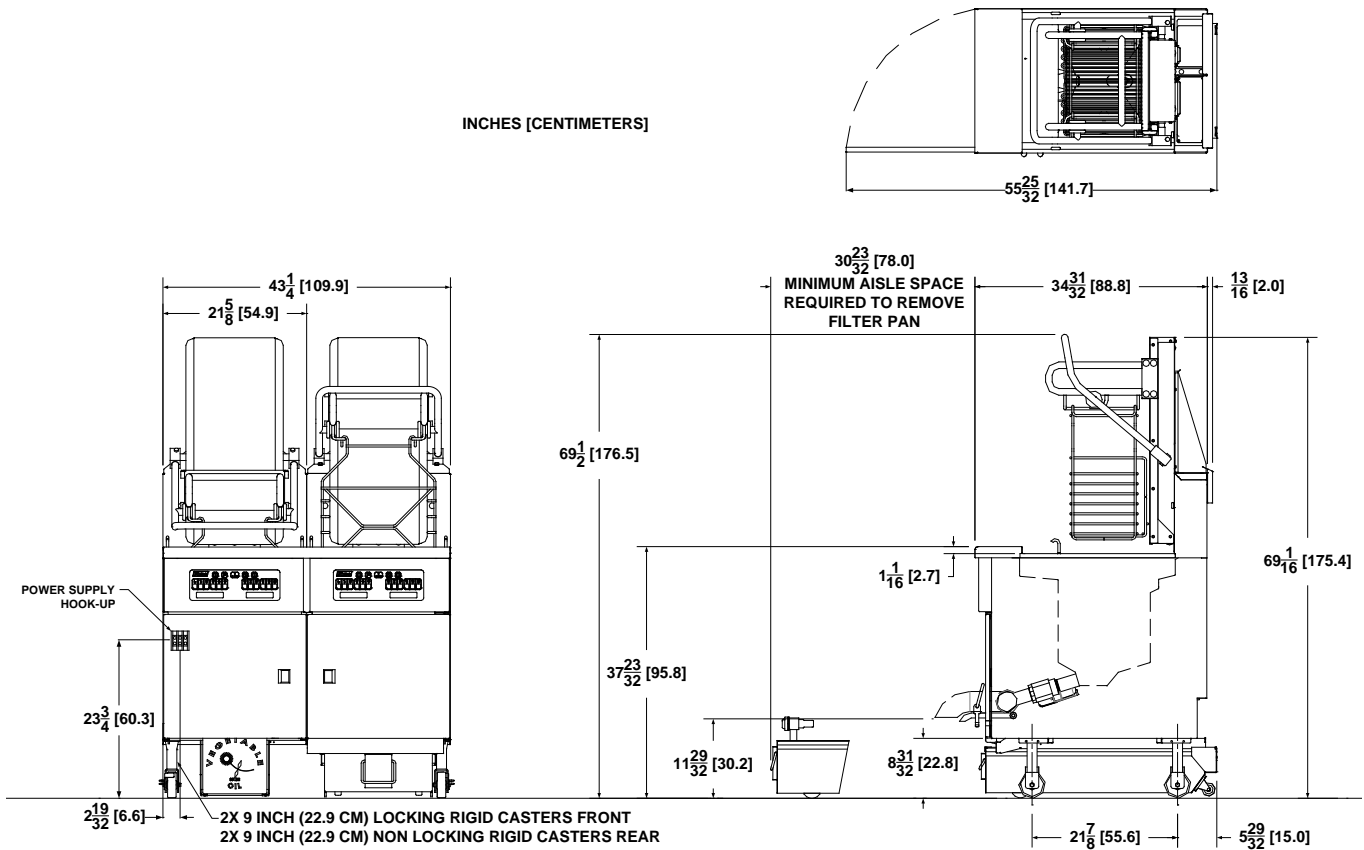


KR-SELVRF SOLSTICE ELECTRIC REDUCED OIL VOLUME RACK FRYER



# KR-SELVRF SOLSTICE ELECTRIC REDUCED OIL VOLUME RACK FRYER

KR-SELVRF SOLSTICE ELECTRIC REDUCED OIL VOLUME RACK FRYER



INDIVIDUAL FRYER SPECIFICATIONS																			
Model	KW	Frying Area								Cook Depth				Oil Capacity					
KR-SELVRF	17	14 x 18 in (35.6 x 47.7 cm)								10 in (25.4 cm)				76 Lbs (35 kg)					
FILTER SPECIFICATIONS																			
Pan Oil Capacity				Filter Pump Motor				Filter Pump Rated Flow				Filter Media							
85 Lbs (38 kg)				1/3 HP 50/60 Hz				10 GPM (37.9 LPM) @ 60 Hz				14 x 21 in (35.6 x 55.9 cm) Paper Envelope							
SHIPPING WEIGHT (Approximate)																			
BASED ON SYSTEM CONFIGURATION, CONSULT FACTORY																			
ELECTRICAL REQUIREMENTS		Nominal Amps Per Line (50/60 HZ)																	
		Single Phase (2 wire + ground)							3 Phase (3 wire + ground)					3 Phase "Y" (4 wire + ground)					
Model	KW	200	208	220	230	240	440	480	200	208	220	230	240	440	480	346/200	380/220	400/230	415/240
KR-SELVRF	17	79	82	78	74	71	33	36	46	48	45	43	41	19	21	27	26	25	24
Notes: 1. 200V Units will operate at 92% of rated power. 2. 440V Units will operate at 84% of rated power. 3. Supply Power for Filter is wired into the fryer's high voltage line terminal block, except for 440-480V which requires a separate single phase service. (115V,8.0A for North America and 220-240V,4.0A for Export).																			
CLEARANCES																			
Front min.		Floor min.				Sides min.				Combustible material				Rear min.					
31 7/32" (79.3 cm)		9" (22.86 cm)								6" (15.2 cm)				6" (15.2 cm)					

